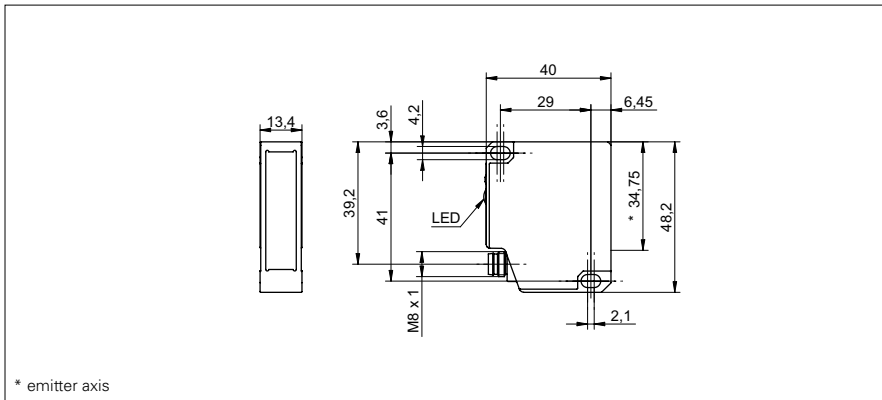


## Distance sensors

## OADM 13 (Laser, RS485 interface)

## sample drawing



## general data

adjustment	no
power on indication	LED green
light source	pulsed red laser diode
wave length	650 nm
laser class	2
alarm indicator	LED red

## measuring distance Sd = 50 ... 350 mm

resolution	0,05 ... 0,4 mm
------------	-----------------

## measuring distance Sd = 50 ... 550 mm

resolution	0,09 ... 1,15 mm
------------	------------------

## electrical data

response time / release time	< 0,9 ms
voltage supply range +Vs	12 ... 28 VDC
current consumption max.	80 mA
output circuit	RS 485
baud rate	38400, adjustable
short circuit protection	yes
reverse polarity protection	yes, Vs to GND

## mechanical data

width / diameter	13,4 mm
height / length	48,2 mm
depth	40 mm
type	rectangular
housing material	aluminum
front (optics)	glass
connection types	connector M8 4 pin

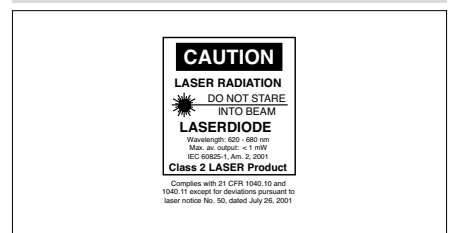
## ambient conditions

operating temperature	0 ... +50 °C
protection class	IP 67

## sample picture



## laser warning



## Distance sensors

## OADM 13 (Laser, RS485 interface)

order reference	measuring distance Sd	beam type	linearity error	beam width	beam height	beam diameter
OADM 13S6475/S35A	50 ... 350 mm	point	$\pm 0,18 \dots \pm 1,2$ mm	-	-	1 mm
OADM 13S6480/S35A	50 ... 550 mm	point	$\pm 0,03 \dots \pm 3,5$ mm	-	-	1 mm
OADM 13S6575/S35A	50 ... 350 mm	line	$\pm 0,18 \dots \pm 1,2$ mm	2 mm	4 ... 9 mm	-
OADM 13S6580/S35A	50 ... 550 mm	line	$\pm 0,3 \dots \pm 3,5$ mm	2 mm	4 ... 13 mm	-